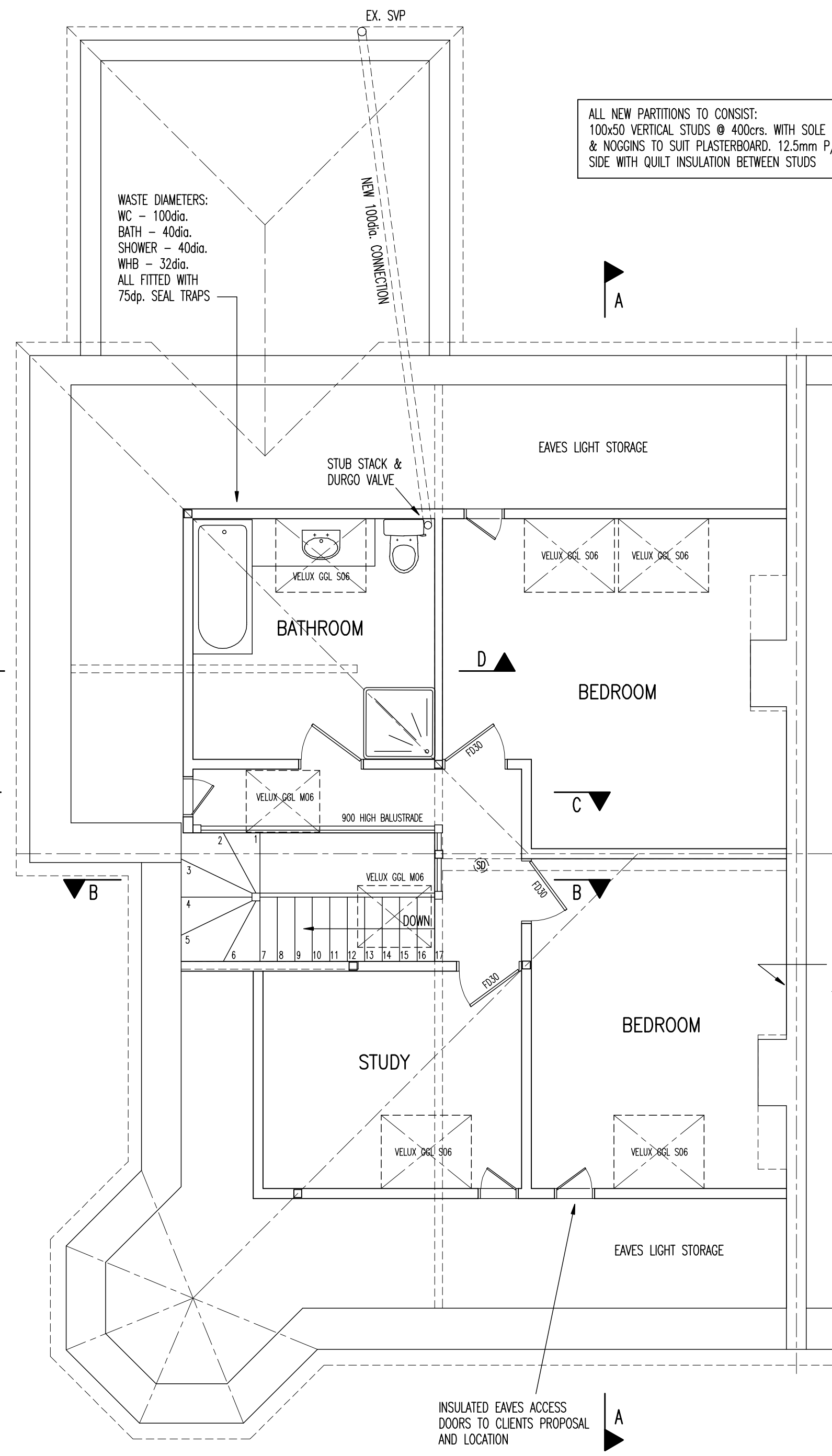
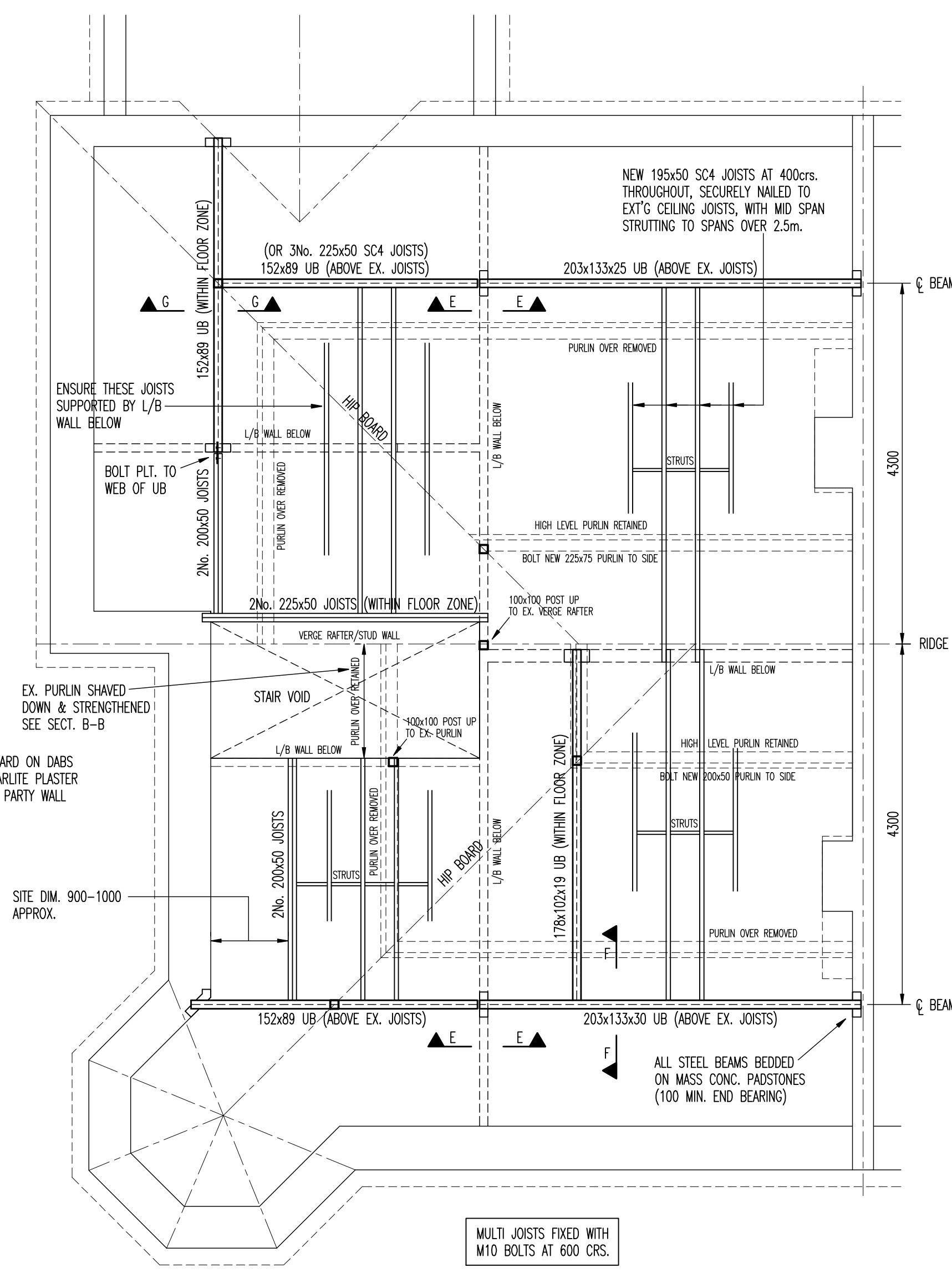


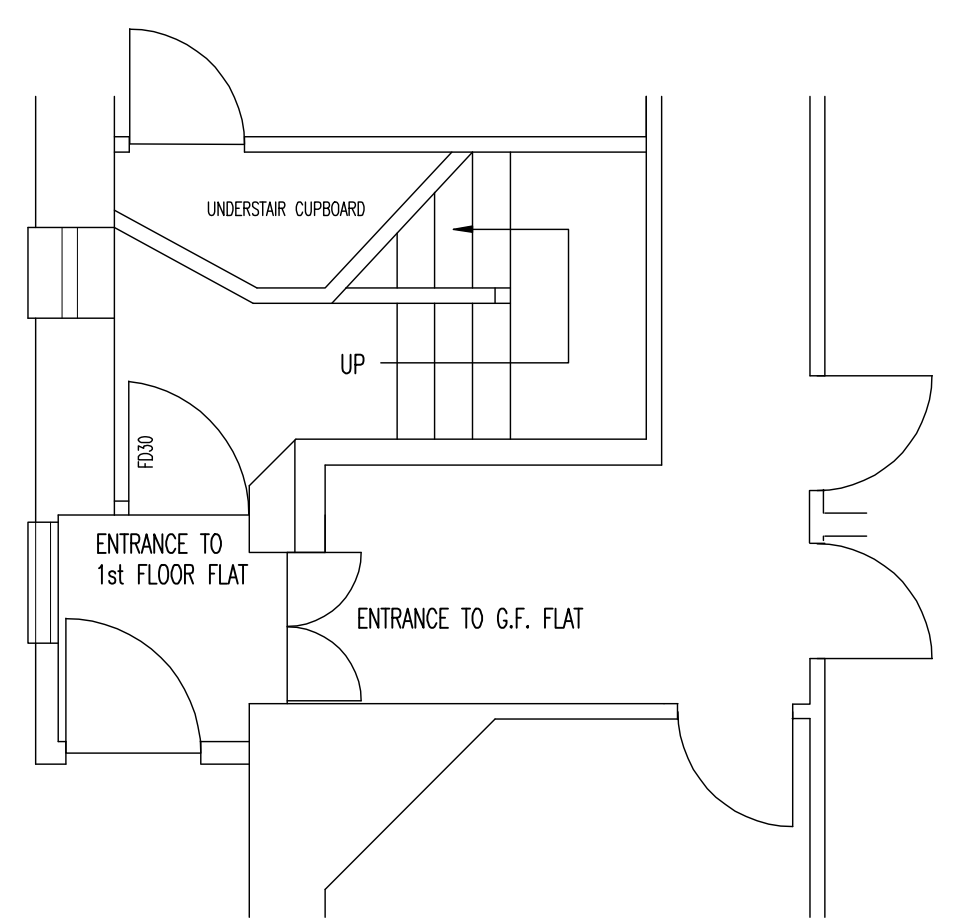
FIRST FLOOR PLAN
SCALE 1:50



SECOND FLOOR PLAN
SCALE 1:50

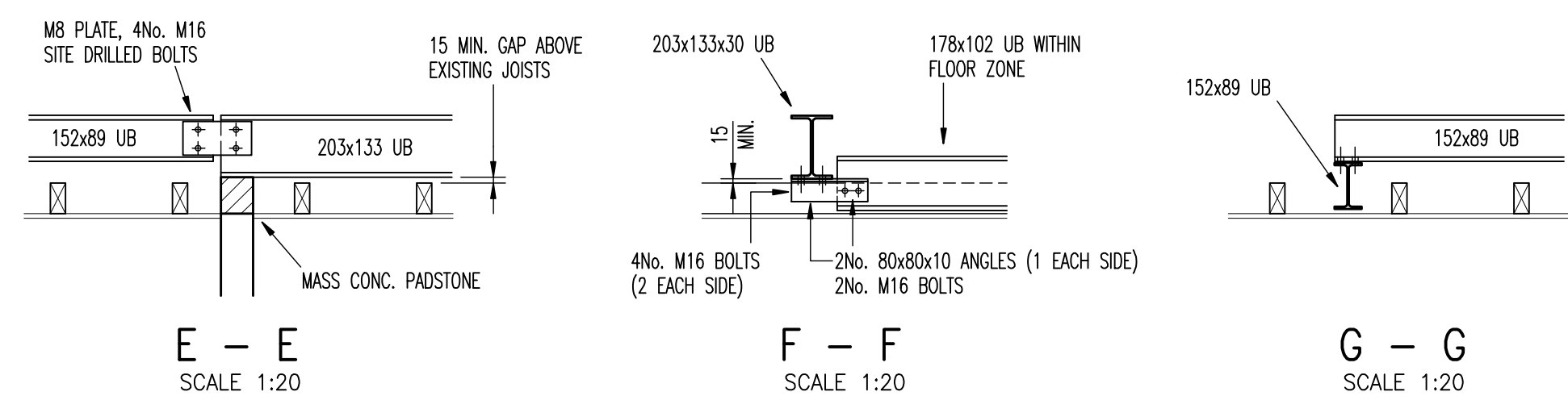


SECOND FLOOR STRUCTURAL PLAN
SCALE 1:50



PART GROUND FLOOR PLAN
SCALE 1:50

SUGGESTED DETAILS ONLY TO SHOW CONNETIONS, FOR NEW FLOORING DETAILS ETC. SEE DRG. 002



REFER TO DRG. 002 FOR NOTES & SECTIONS A-A TO D-D

ALL NEW PARTITIONS TO CONSIST:
100x50 VERTICAL STUDS @ 400crs. WITH SOLE & HEAD PLATES
& NOGGINs TO SUIT PLASTERBOARD. 12.5mm P/BOARD EACH
SIDE WITH QUILT INSULATION BETWEEN STUDS

EXISTING CEILING JOISTS TO BE PROPPED, BINDERS REMOVED,
NEW JOISTS INSERTED, SECURELY NAILED TO EXISTING CEILING
JOISTS, THEN PROPS REMOVED.
NEW JOISTS SHIMMED OFF L/B WALLS & FIXED TO STEELS
WITH JOIST HANGERS.
LOWER PURLINS & STRUTS REMOVED ONCE NEW STRUCTURE
IN PLACE.

WASTE DIAMETERS:
WC - 100dia.
BATH - 40dia.
SHOWER - 40dia.
WHB - 32dia.
ALL FITTED WITH
75dp. SEAL TRAPS

NEW 195x50 SC4 JOISTS AT 400crs.
THROUGHOUT, SECURELY NAILED TO
EXT'G CEILING JOISTS, WITH MID SPAN
STRUTTING TO SPANS OVER 2.5m.

(OR 3No. 225x50 SC4 JOISTS)
152x89 UB (ABOVE EX. JOISTS)

203x133x25 UB (ABOVE EX. JOISTS)

ENSURE THESE JOISTS
SUPPORTED BY L/B
WALL BELOW

BOLT PLT. TO
WEB OF UB

2No. 200x50 JOISTS

EX. PURLIN SHAVED
DOWN & STRENGTHENED
SEE SECT. B-B

9.5mm P/BOARD ON DABS
OR 13mm CARLITE PLASTER
TO 215 THK. PARTY WALL

SITE DIM. 900-1000
APPROX.

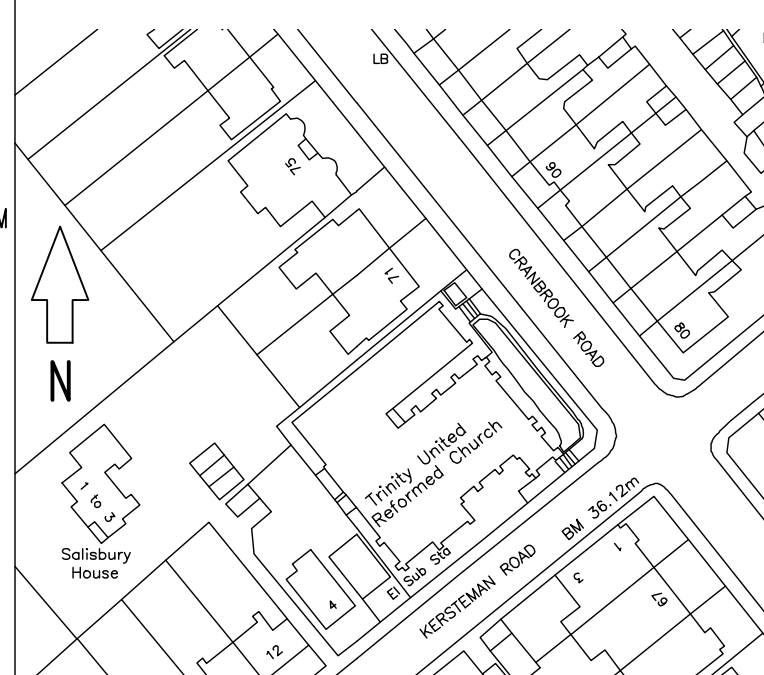
152x89 UB (ABOVE EX. JOISTS)

203x133x30 UB (ABOVE EX. JOISTS)

ALL STEEL BEAMS BEDDED
ON MASS CONC. PADSTONES
(100 MIN. END BEARING)

MULTI JOISTS FIXED WITH
M10 BOLTS AT 600 CRS.

INDICATES NEW 100x100 SC4
POSTS UP TO EXISTING HIP



LOCATION PLAN
SCALE 1:1250

Rev.	Date

DOWNEND DESIGN LTD.
28 Westons Brake
Downend
Bristol BS16 7BP
Tel: 0117 9570281
Mob: 07754 147274

Client
MR. I. MORROW
FIRST FLOOR FLAT
71 CRANBROOK ROAD, REDLAND
BRISTOL BS8 7BZ

Job Title
**PROPOSED LOFT CONVERSION
AT THE ABOVE ADDRESS**

Drawing Title
PROPOSED PLANS

Scale at A1 **1:50, 1:20**

Drawing Status
FOR PLANNING & B. REG'S APPROVAL

Job No	Drawing No	Revision
2050	001	